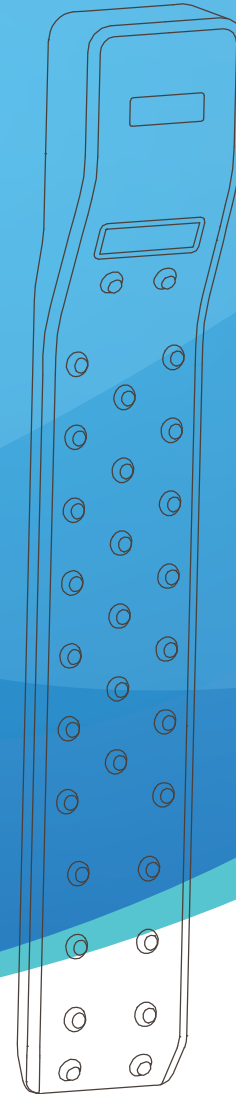


# Installation instructions



- Thanks for choosing our full body dryer.
- Please read the instructions carefully before installation and use.

### 1. Product Overview

This product uses a warm air drying system to quickly dry your body. Combined with the negative ion function, it can lock the skin's moisture, keep the skin moist, prevent skin dryness, prevent dandruff and static electricity, and avoid the use of towels in public places. It is widely used in home interiors, hotel apartments, public bathrooms and other places. The new way to cleanse your body makes your body cleaner and more comfortable.

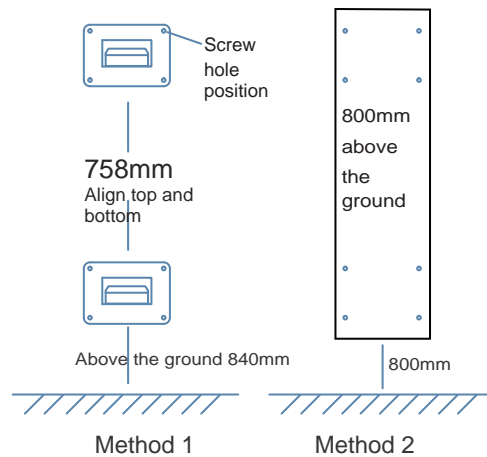
- 1.1: Product name: Full body drying machine
- 1.2: Product model: JBD-3000A
- 1.3: Certificate: CE, RoHS
- 1.4: Rated voltage/frequency: 220-240V~/50Hz, 220-240V/60Hz
- 1.5: Rated Power: 3000W

### 2. Main performance

- 2.1: Adjustable temperature: 50°C-60°C (ambient temperature > 18°C)
- 2.2: Wind speed: 4 gears
- 2.3: Safety protection: overheating protection, leakage protection

### 3. Installation and use methods

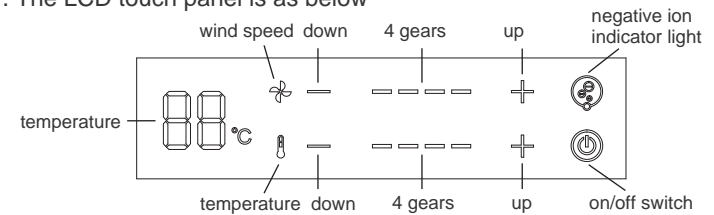
3.1: Installation method: Fix the two metal backs in the accessory package on the wall as shown below, buckle the dryer into the metal backs.



3.2. Start the device: Plug in the power plug, and the LCD screen will light up.

3.3. How to use:

3.3.1. The LCD touch panel is as below



3.3.2. On/off switch: After power on, the on/off switch lights up. Click the on/off switch to start the machine. After starting, click the on/off switch again to turn off the machine. When turned off, the negative ion indicator light stops flashing( Note: The machine will delay shutting down and the fan will continue to work for a few seconds to reduce the temperature of the heating wire).

3.3.3. Negative ion indicator light: When the machine is working, the negative ions work automatically, flashing when working and stop flashing when stopped.

3.3.4. Temperature: The left side of the display is the output air temperature.

3.3.5. Wind speed up/down: Press the corresponding up or down button to increase or decrease the wind speed.

3.3.6. Temperature up/down: Press the corresponding up or down button to increase or decrease the temperature.

3.3.7. Special function description: At the beginning, the dryer will automatically work at the highest temperature and lowest wind speed for 50 seconds. Then the wind speed will increase to the 2nd gear and continue to work for 40s, then increase to the 3rd gear and continue to work for 40s, and finally stabilize. From the highest wind speed and highest temperature gear to the highest running time, the maximum continuous running time is 10 minutes. During this period, if the user actively adjusts the temperature or wind speed gear, the special function mode will be exited. The actual settings of the user shall prevail.

### 4. Notes:

- 4.1. Please make sure the power cord and plug are not damaged. The Voltage should be 220-240V~, three-cores 16A cords and sockets or above should be selected. This dryer must not share the same power socket with other electrical appliances.
- 4.2. Please do not bend, pull or tangle the power cord to prevent the power cord from overheating.
- 4.3. It must be placed vertically and firmly fixed to avoid damage from overturning or hitting people.

4.4. It is strictly prohibited to dry clothes and cover the air inlet/outlet holes with objects when the machine is working.

4.5. During use, It is strictly prohibited to put fingers or conductive objects into the body of dryer to prevent electric shock. Pay special attention to children, the elderly and the disabled

4.6. Improper start-up of the dryer may cause a fire. Therefore, the programmer, timer or any other device that can automatically turn on the power must not be used to use this dryer.

4.7. Do not turn on the power supply before the dryer is assembled to avoid accidents.

4.8. Turn off the power before pulling out the plug. Do not plug or pull out the power plug with wet hands, otherwise there is a risk of electric shock.

4.9. If the power cord is damaged, it must be replaced by the manufacturer or its maintenance department or similar professionals to avoid danger.

4.10. This machine is not suitable for people with physical, sensory or intellectual disabilities or people who lack experience and common sense, unless someone else can ensure its safety, supervise it, and read the instructions for use in advance.

4.11. Do not touch the surface of the machine for a long time after power is turned on to prevent burns, especially for children.

4.12. It is prohibited to use the method of plugging and unplugging the power cord instead of turning on and off the machine.

4.13. Unplug the power plug before moving.

4.14. When using, do not let the power cord come into contact with the surface of the machine to prevent burns.

4.15. Please choose a location that is open and conducive to air circulation to install the dryer.

4.16. It is strictly forbidden to use water to flush the motor and control parts.

4.17. Please do not disassemble the fuselage at will, let alone make any form of modification to the fuselage to avoid danger.

4.18. If you don't use it for a long time, please unplug the power plug from the socket.

4.19. Please contact your local after-sales service center if the dryer can not work. Do not disassemble or repair the machine without authorization to avoid danger.

4.20. If you find any abnormalities such as burnt smell or smoke during use, immediately shut down the power and contact after-sales personnel.

## 5. Cleaning and maintenance

5.1. Before performing maintenance, please unplug the power cord.

5.2. For cleaning and maintenance, use a soft cloth or soft brush to clean the machine body. If there are stains, use a damp cloth with a little detergent to wipe them away. Do not use chemical solvents such as alcohol, toluene, gasoline, etc. to prevent damage to the surface coating of the machine body.

## 6. Troubleshooting instructions

Problem 1: The motor does not run and no warm wind.

Cause of failure 1: Power is not connected

Solution: Plug in the power

Cause of failure 2: The touch switch is damaged

Solution: Contact after-sales service to replace the touch switch

Problem 2: The motor runs but the air temperature does not go up.

Cause of failure 1: The temperature range is set to normal temperature

Solution: Set the temperature level to heating level

Cause of failure 2: The heating wire is broken

Solution: Contact after-sales service to replace the heating wire

